

4

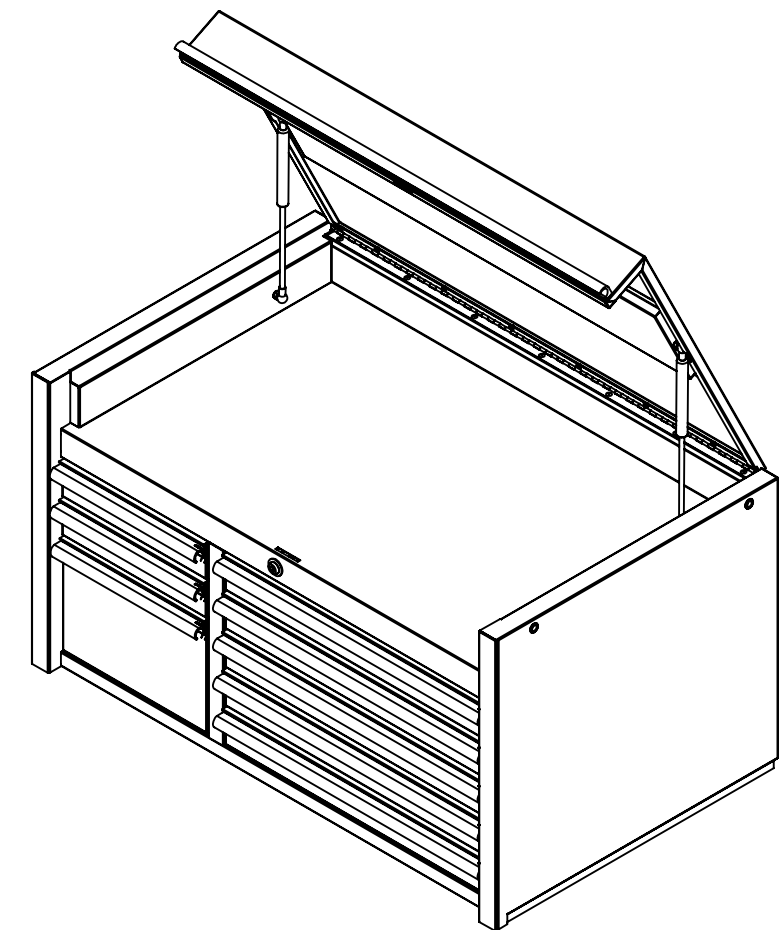
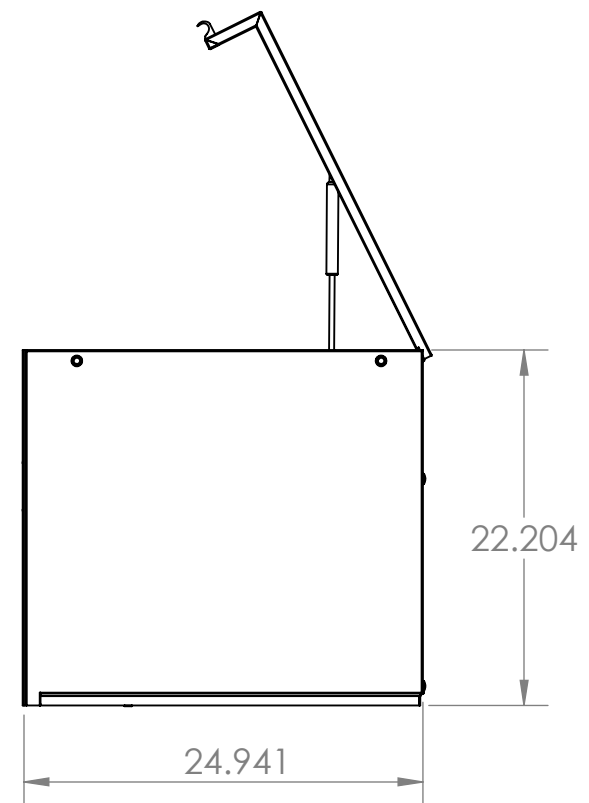
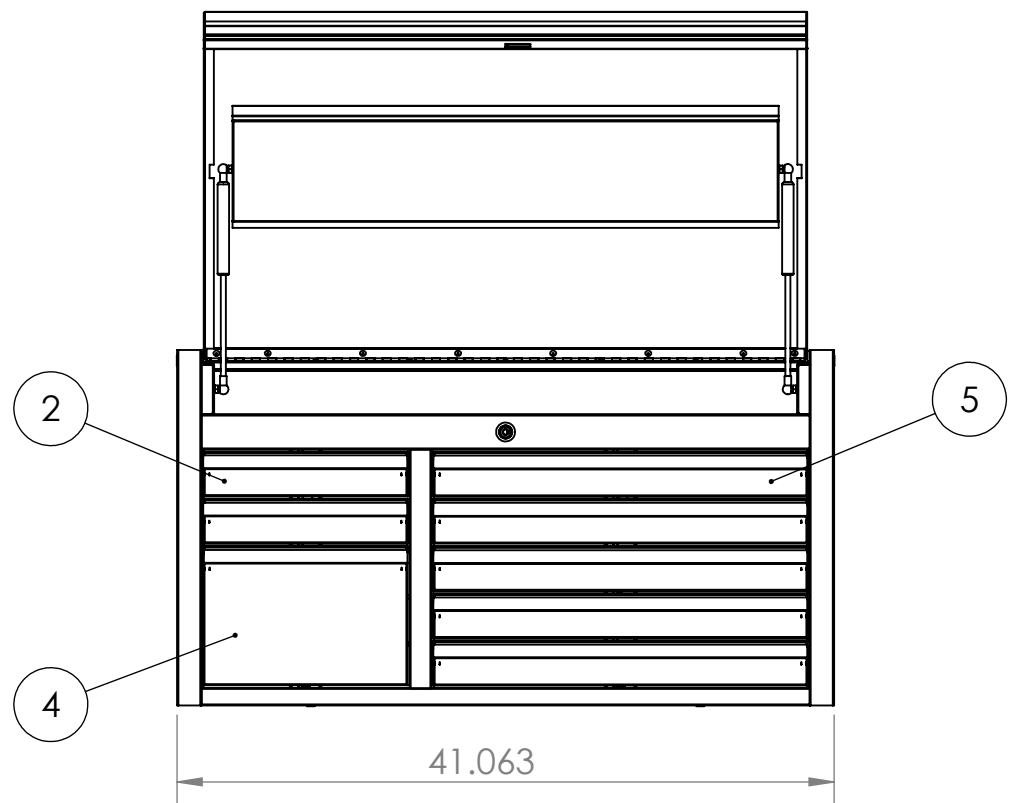
3

2

1

B

B



A

A

DRAWER No.	WIDTH		DEPTH		HEIGHT	
	O.D.	I.D.	O.D.	I.D.	O.D.	I.D.
2	12.75	11.886	24.277	21.953	2.815	2.209
5	23.386	22.137	24.277	21.953	2.815	2.209
4	12.75	11.886	24.277	21.953	8.720	8.115

OVERALL DIMENSIONS		
WIDTH	DEPTH	HEIGHT
41.063	24.941	22.204

RX412508CH (SCHEMATIC)

4

3

2

1