

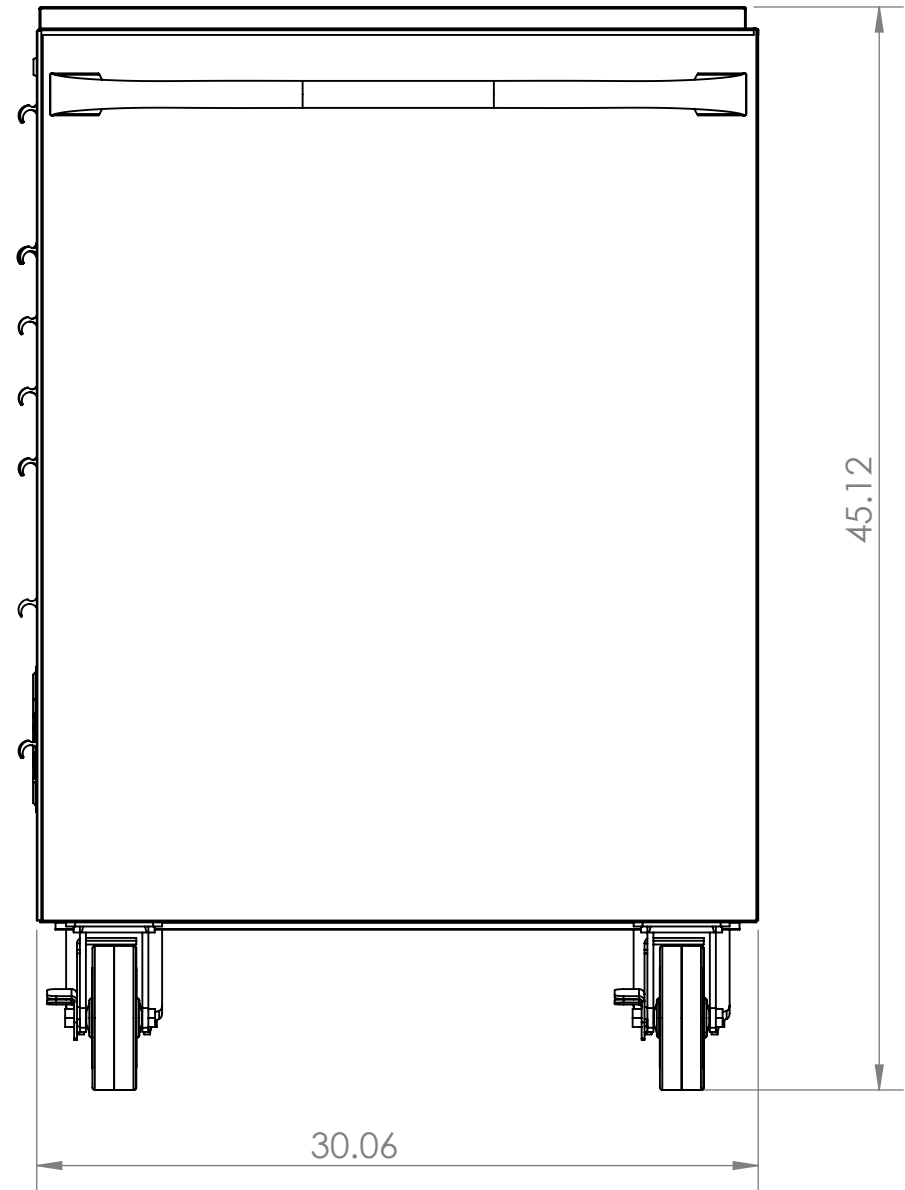
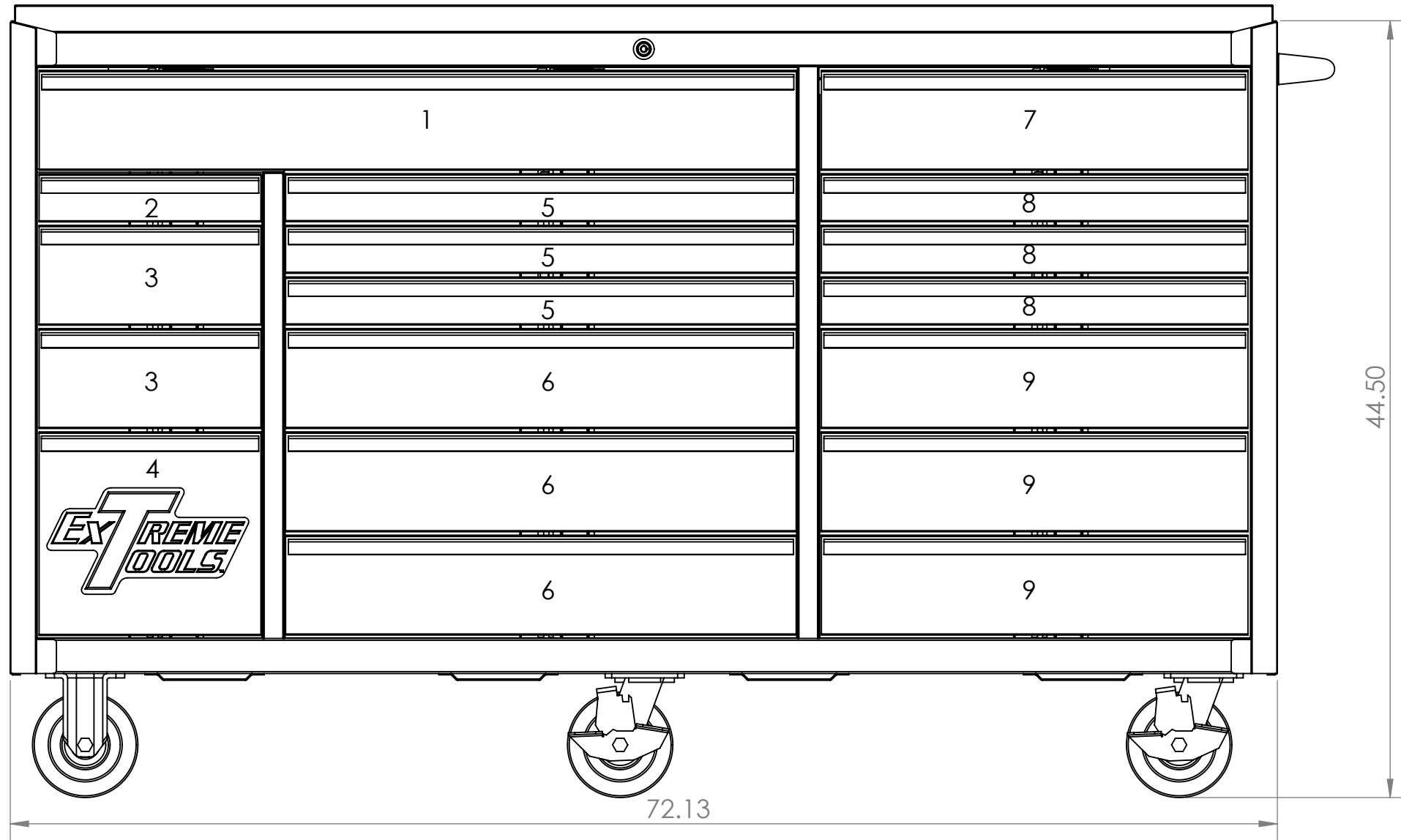
4

3

2

1

B



B

45.12

30.06

72.13

44.50

DRAWER No.	WIDTH		DEPTH		HEIGHT	
	O.D.	I.D.	O.D.	I.D.	O.D.	I.D.
1	43.125	41.688	28.750	27.438	5.625	5.250
2	12.625	11.188	"	"	2.625	2.250
3	12.625	11.188	"	"	5.625	5.250
4	12.625	11.188	"	"	11.5	1.188
5	29.063	27.625	"	"	2.625	2.50
6	29.063	27.625	"	"	5.625	5.250
7	24.250	22.875	"	"	5.625	5.250
8	24.250	22.875	"	"	2.625	2.250
9	24.250	22.875	"	"	5.625	5.250
OVERALL DIMS	72.125		30		44.5	

EX7218RC (SCHEMATIC)

4

3

2

1

A

A